

**XS 10FA/XS 12 Owner's Manual**

Thank You for purchasing this Wet Sounds product. Wet Sounds professional marine audio products represent the ultimate in high performance marine audio. Wet Sounds speakers are specifically engineered to withstand the rigorous marine environment. The XS series of speakers were designed to provide amazing output combined with a cutting edge style. Utilizing state of the art acoustic engineering and three dimensional computer aided design, the XS series represent the most advanced marine speakers in the world.

Please take a moment to read the instruction manual before starting your installation. If you have any questions or concerns, please contact your certified Wet Sounds dealer or Wet Sounds at 877-Wet-Sprk.

## **SPEAKER SPECIFICATIONS**

### **XS-10FA**

10 inch marine subwoofer  
Impedance – Dual 4 ohms  
Resistance (parallel) – 1.7 ohms  
Sd – 0.0363 m<sup>2</sup>  
Xmax – 7.0 mm  
Fs = 30 Hz  
Vas = 60 l  
Qts = 0.58  
SPL – 88 dB/w/m  
Frequency response – 20 to 500 Hz  
RMS Power – 250 watts  
Peak Power – 500 watts

### **XS-12**

12 inch marine subwoofer  
Impedance – Dual 4 ohms  
Resistance (parallel) – 1.9 ohms  
Sd – 0.0511 m<sup>2</sup>  
Xmax – 11.0 mm  
Fs = 28 Hz  
Vas = 62 l  
Qts = 0.47  
SPL – 88 dB/w/m  
Frequency response – 20 to 400 Hz  
RMS Power – 500 watts  
Peak Power – 1000 watts

The Wet Sounds XS series of subwoofers is a line of advanced low frequency transducers. These subwoofers use advanced materials throughout such as our exclusive rubber spider and powder coated cast aluminum frames. Wet Sounds has developed a rubber spider for the XS series of subwoofers. Rubber is used for the spider as most marine speakers use cloth that will deteriorate over time. The XS series speakers are built to last in the harshest environments. The XS subwoofers utilize a cast aluminum frame that is powder coated to provide a solid non flexing mount. Advanced acoustical technologies like perimeter venting, high temperature voice coils and gold plated binding posts also help to make the XS series one of the most advanced marine subwoofers on the market.

## INSTALLATION- SEALED AND VENTED ENCLOSURES

WET SOUNDS Marine subwoofers have been specially designed to produce outstanding results in small volume enclosures. Due to the specific Thiele-Small parameters, subwoofer XS-10FA is more suitable for sealed enclosure (it can be used also in free air configuration) whereas the XS-12 works in both sealed and vented enclosures with optimum results in a vented enclosure. As a rule, sealed enclosures provide better transient bass response than their vented counterparts, although the vented enclosures generally provide more deep bass. However, both enclosure types will work in any situation.

### SEALED ENCLOSURES

This enclosure is made up of a totally closed, air-tight box. This type of enclosure gives excellent, tight bass response, as well as providing an effective control of loudspeaker excursion, maintaining it within reasonable limits and generally providing lower distortion and very high volume levels. If you build your own enclosure, WET SOUNDS recommends that you glue and screw all joints using enough glue to ensure that all joints are air-tight.

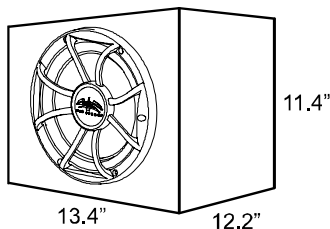
### VENTED ENCLOSURES

Vented enclosures are not air-tight and incorporate an additional opening known as a port or vent, which is generally fabricated from either plastic or cardboard tubing. The port augments the sound coming out of the woofer and is in most cases capable of going lower in frequency than the same woofer in a sealed box. Even though vented enclosures are not air-tight, you should follow the same procedure as with sealed boxes and glue and screw together all joints.

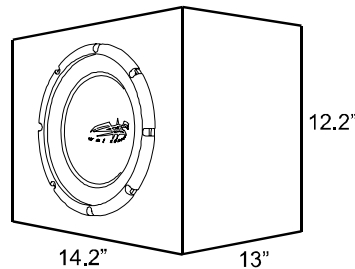
Bellow you will find drawings for enclosures specifically designed for WET SOUNDS Marine subwoofers. The dimensions shown in drawings (already taking in account the volume occupied by the subwoofer) are intended as a guideline and specific dimensions (HxWxD) may be changed provided the internal volume of the enclosure is maintained.

In the special case of SEALED enclosures, volumes greater or smaller than specified in the table can be chosen, with different results. Smaller enclosures lead to a more enhanced response and higher power handling whereas larger ones exhibit better transient and more extended response.

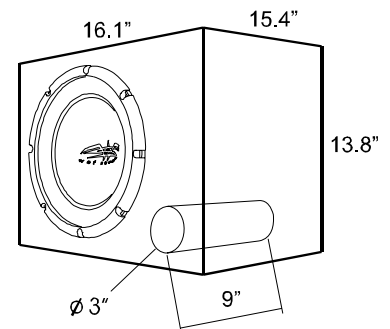
XS-10FA  
Sealed box 0.7 ft<sup>3</sup> /20 liters



XS-12  
Sealed box 0.9 ft<sup>3</sup> /25 liters



XS-12  
Vented box 1.4ft<sup>3</sup> /40 liters  
(OPTIMUM)



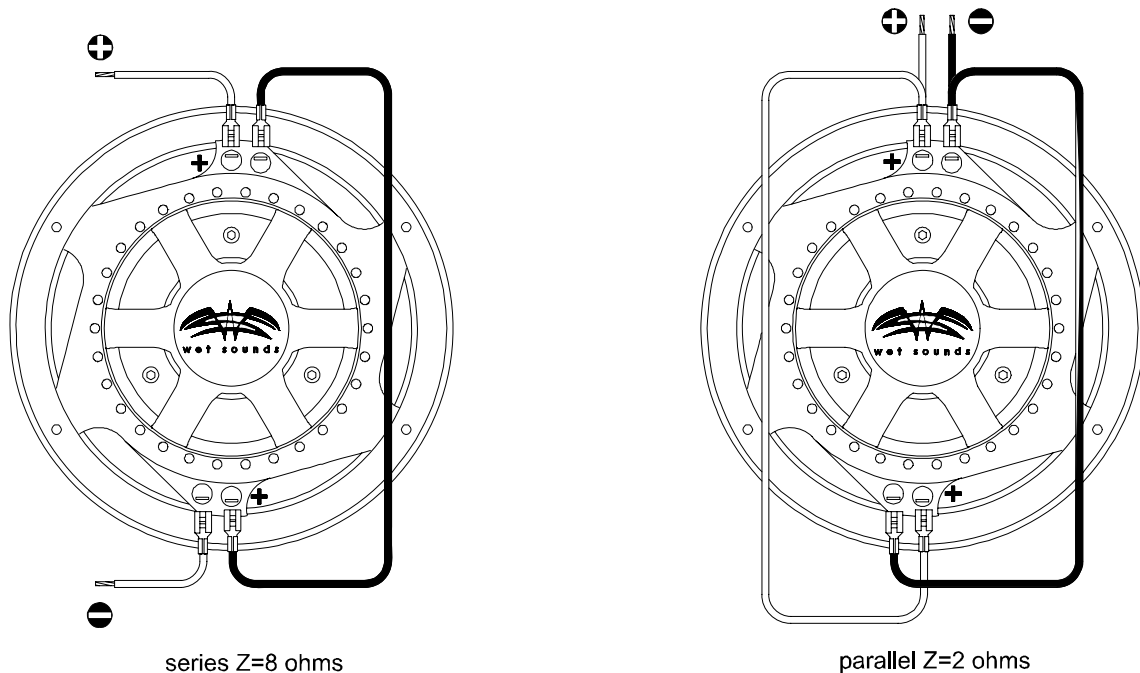
## ENCLOSURE CONSTRUCTION

For best performance the walls of the enclosure should be rigid and not vibrate as a result of the internal pressures generated by the loudspeakers. WET SOUNDS recommends constructing enclosures from medium-density fiberboard (MDF) with a minimum thickness of 3/4". In larger enclosures over 1 cubic foot, internal bracing that joins opposite walls can be incorporated and the final enclosure should be as rigid as possible. All joints should be glued and fastened with screws. Additionally, internal joints can be covered with a small bead of silicone adhesive to ensure that the enclosure is completely air-tight. Drivers should be fastened to the enclosure with self-threading screws with adequate length and diameter, utilizing all the mounting holes in the frame. To avoid air leakage, a foam rubber gasket or similar sealing method should be applied between the loudspeaker and the enclosure. The external surface of the enclosure may be painted or fabric-covered, to suit the consumer.

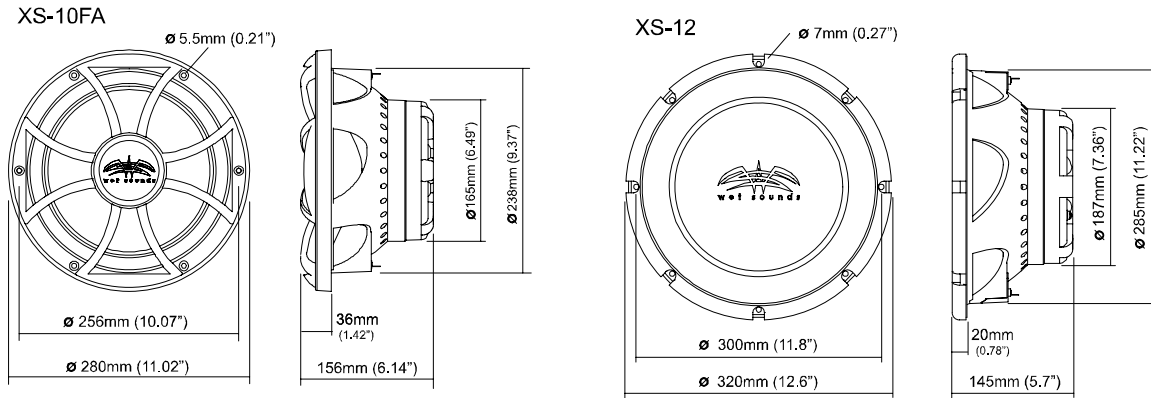
Since low frequency sounds are not directional, subwoofer enclosures can generally be placed anywhere within the boat, without compromising stereo imaging. However, different placement locations of subwoofer enclosures can sometimes influence the overall quality of bass/midbass response, so you may wish to experiment with various mounting locations before permanently mounting the woofer.

## WIRING.

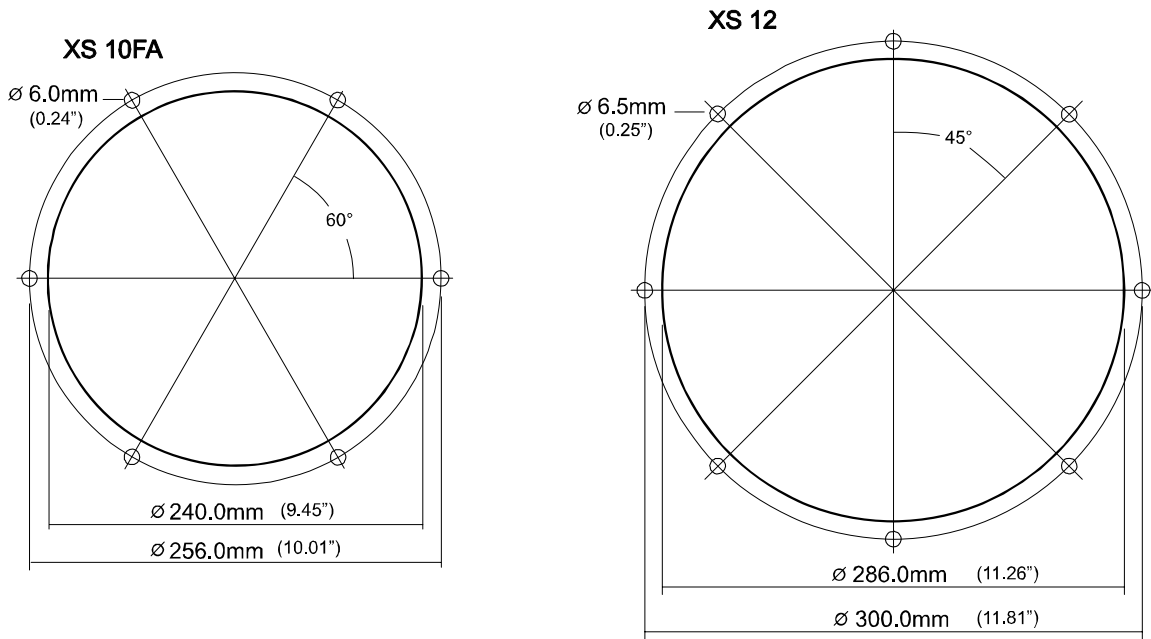
WET SOUNDS Marine subwoofers are offered in Dual Voice Coil configuration 4+4 ohms. Voice coils can be wired in parallel ( $Z = 2$  ohms) or in series ( $Z = 8$  ohms), allowing the user to properly match the driver to his amplifier.



## DIMENSIONS



## HOLE TEMPLATE



## **Limited Warranty**

### **What This Warranty Covers**

This is a "Limited" warranty. This warranty covers any defects in materials and workmanship and this warranty only applies to the original purchaser and is not transferable. This warranty is also only valid if the original purchase was made from an authorized Wet Sounds™ dealer.

### **How Long Coverage Last**

This warranty runs for one year from the date of the purchase. It is recommended to REGISTER your warranty online within 45 days of your purchase at [www.wetsounds.com](http://www.wetsounds.com) - click on "warranty registration"

### **What Is Not Covered**

This warranty does not cover fading or discoloration caused by exposure to sunlight or chemicals such as ammonia, household bleach, or any cleaning material that contains abrasive substances. Wet Sounds, Inc. does not cover the cost for removal and reinstallation. Additionally, shipping **TO** Wet Sounds, Inc. is covered by the purchaser. This warranty is void and inapplicable if Wet Sounds™ deems that the product was abused or misused; including but not limited to damage caused by accident, mishandling, improper installation, negligence, normal wear and tear, excessive water or heat damage, freight damage or speakers that have been disassembled by anyone other than Wet Sounds™ technical staff. Wet Sounds™ shall not be responsible for any incidental or consequential damages, except to the extent provided (or prohibited) by applicable law. This warranty gives you specific legal rights, and you may also have other rights which vary from state to state.

### **What Wet Sounds, Inc. Will Do**

Wet Sounds, Inc will repair any part of your product that proves to be defective in materials or workmanship. In the event repair is not possible, Wet Sounds, Inc will replace the product in question. If it is deemed necessary Wet Sounds, Inc. will either replace the entire product with a refurbished unit or it will be replaced with a model that is similar in price if that model is no longer available. Labor cost and materials needed to complete this service will be at no charge to the purchaser. Additionally, the cost of shipping **TO** the consumer is also covered under this warranty.

### **How To Get Service**

Contact Wet Sounds, Inc. either by phone at 877-938-7757 or by email at [warranty@wetsounds.com](mailto:warranty@wetsounds.com). A service representative will assist you in the necessary actions to concur that the problem that you are experiencing is covered under warranty and what to do if it needs to be shipped to Wet Sounds, Inc.

### **Internet Warning**

Wet Sounds, Inc. products sold on any non authorized web site or internet auction site are void of any and all manufacturer's warranty. Please contact Wet Sounds™ at 877-938-7757 or visit our web site at [www.wetsounds.com](http://www.wetsounds.com) to search for an authorized site and/or an authorized retailer near you.

Wet Sounds Inc.  
1-877-938-7757  
[www.wetsounds.com](http://www.wetsounds.com)  
[info@wetsounds.com](mailto:info@wetsounds.com)