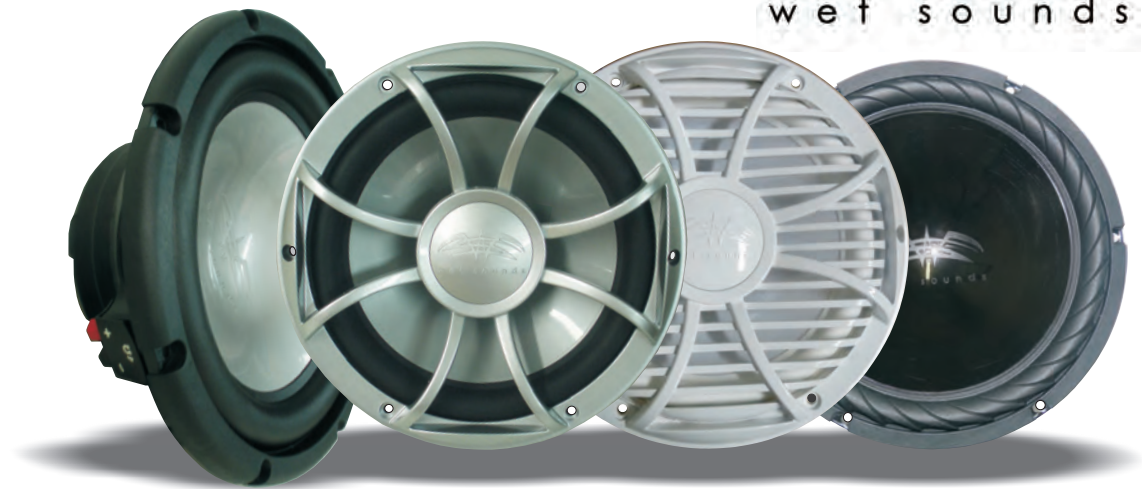


**XS-12/XS-10FA/ SW-10FA/SS-10B  
Marine Subwoofers**



Wet Sounds Inc.  
1-877-938-7757  
[www.wetsounds.com](http://www.wetsounds.com)  
[info@wetsounds.com](mailto:info@wetsounds.com)

**Owner's Manual**

323099/227 - 25/08/10

## Thank You for purchasing this Wet Sounds product !

Wet Sounds professional marine audio products represent the ultimate in high performance marine audio. Wet Sounds speakers are specifically engineered to withstand the rigorous marine environment. The Wet Sounds subwoofers were designed to provide amazing output combined with a cutting edge style. Utilizing state of the art acoustic engineering and three dimensional computer aided design, the subwoofers represent the most advanced marine speakers in the world. Please take a moment to read the instruction manual before starting your installation. If you have any questions or concerns, please contact your certified Wet Sounds dealer or Wet Sounds at 877-938-7757.

## TECHNICAL SPECIFICATIONS

<b>XS-10FAD-2</b>	<b>XS-10FAD-4</b>	<b>SW-10FA-W D2</b>	<b>SS-10B</b>
10 inch marine subwoofer	10 inch marine subwoofer	10 inch marine subwoofer	10 inch marine subwoofer
Impedance – Dual 2 ohms	Impedance – Dual 4 ohms	Impedance – Dual 2 ohms	Impedance – Dual 2 ohms
Resistance (parallel) – 1.0 ohm	Resistance (parallel) – 1.8 ohms	Resistance (parallel) – 1.0 ohm	Resistance (parallel) – 1.0 ohm
Sd – 0.0380 m <sup>2</sup>	Sd – 0.0380 m <sup>2</sup>	Sd – 0.0380 m <sup>2</sup>	Sd – 0.0363 m <sup>2</sup>
Xmax – 11.0 mm	Xmax – 11.0 mm	Xmax – 11.0 mm	Xmax – 7.0 mm
Fs = 30 Hz	Fs = 30 Hz	Fs = 30 Hz	Fs = 32 Hz
Vas = 40 l	Vas = 45 l	Vas = 40 l	Vas = 45 l
Qts = 0.48	Qts = 0.54	Qts = 0.48	Qts = 0.42
Le = 0.46mH	Le = 0.60mH	Le = 0.37mH	Le = 0.24mH
SPL – 88 dB/w/m	SPL – 88 dB/w/m	SPL – 88 dB/w/m	SPL – 88 dB/w/m
Frequency response – 20 to 500 Hz	Frequency response – 20 to 500 Hz	Frequency response – 20 to 500 Hz	Frequency response – 28 to 2000 Hz
RMS Power – 300 watts	RMS Power – 300 watts	RMS Power – 300 watts	RMS Power – 250 watts
Peak Power – 600 watts	Peak Power – 600 watts	Peak Power – 600 watts	Peak Power – 500 watts

<b>XS-12D-2</b>	<b>XS-12D-4</b>
12 inch marine subwoofer	12 inch marine subwoofer
Impedance – Dual 2 ohms	Impedance – Dual 4 ohms
Resistance (parallel) – 1.0 ohm	Resistance (parallel) – 1.9 ohms
Sd – 0.0511 m <sup>2</sup>	Sd – 0.0511 m <sup>2</sup>
Xmax – 11.0 mm	Xmax – 11.0 mm
Fs = 28 Hz	Fs = 28 Hz
Vas = 60 l	Vas = 62 l
Qts = 0.47	Qts = 0.48
Le = 0.40mH	Le = 0.32mH
SPL – 88 dB/w/m	SPL – 88 dB/w/m
Frequency response – 20 to 400 Hz	Frequency response – 20 to 400 Hz
RMS Power – 500 watts	RMS Power – 500 watts
Peak Power – 1000 watts	Peak Power – 1000 watts

## Limited Warranty

### What This Warranty Covers

This is a “Limited” warranty. This warranty covers any defects in materials and workmanship and warranty only applies to the original purchaser and is not transferable. This warranty is also only valid if the original purchase was made from an authorized Wet Sounds™ dealer.

### How Long Coverage Last

This warranty runs for one year from the date of the purchase. It is recommended to REGISTER your warranty online within 45 days of your purchase at [www.wetsounds.com](http://www.wetsounds.com) - click on “warranty registration”

### What Is Not Covered

This warranty does not cover fading or discoloration caused by exposure to sunlight or chemicals such as ammonia, household bleach, or any cleaning material that contains abrasive substances. (For information on how to prevent fading or discoloration, consult [www.wetsounds.com](http://www.wetsounds.com) for recommendations on cleaning products). Wet Sounds, Inc. does not cover the cost for removal and reinstallation of any kind. Additionally, shipping TO Wet Sounds, Inc. is covered by the purchaser. This warranty is void and inapplicable if Wet Sounds™ deems that the product was abused or misused; including but not limited to Speaker product that has been improperly-powered (under or over powered), causing thermal (burnt voice coil) and/or mechanical failure (torn surrounds or spiders), damage caused by accident, mishandling, improper installation, negligence, normal wear and tear, excessive water or heat damage, freight damage or products that have been altered in any way. Product owned by anyone other than the original purchaser from an authorized Wet Sounds dealer. (The warranty is not transferable and will not apply to products purchased from unauthorized dealers.) Wet Sounds is not responsible for any damages to a consumer's boat or person from a product failure. The warranty is void if Wet Sounds deems the product was installed or used improperly. Wet Sounds shall not be responsible for any incidental or consequential damages, except to the extent provided (or prohibited) by applicable law. This warranty gives you specific legal rights, and you may also have other rights which vary from state.

### What Wet Sounds, Inc. Will Do

Wet Sounds, Inc will repair any part of your product that proves to be defective in materials or workmanship. In the event repair is not possible, Wet Sounds, Inc will replace the product in question. If it is deemed necessary Wet Sounds, Inc. will either replace the entire product with a new or a refurbished unit or it will be replaced with a model that is similar in price if that model is no longer available. Labor cost and materials needed to complete this service will be at no charge to the purchaser. Additionally, the cost of shipping TO the consumer is also covered under this warranty.

### How to Obtain Warranty Service

Contact Wet Sounds, Inc. either by phone at 877-938-7757 or by email at [warranty@wetsounds.com](mailto:warranty@wetsounds.com). A service representative will assist you in the necessary actions to verify that the problem that you are experiencing is covered under warranty. If it is in fact a warranty issue, Wet Sounds will issue an RA number for tracking purposes and give instructions on sending the product in for evaluation.

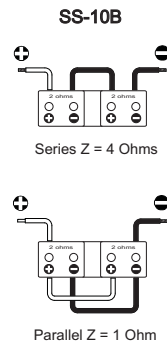
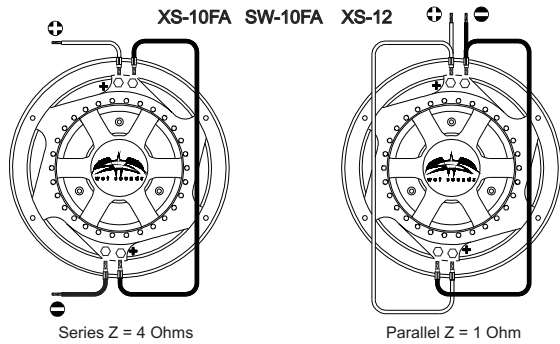
### Internet Warning

Wet Sounds, Inc. products sold on any non authorized web site or internet auction site are void of any and all manufacturer's warranty. Please contact Wet Sounds™ at 877-938-7757 or visit our web site at [www.wetsounds.com](http://www.wetsounds.com) to search for an authorized site and/or an authorized retailer near you.

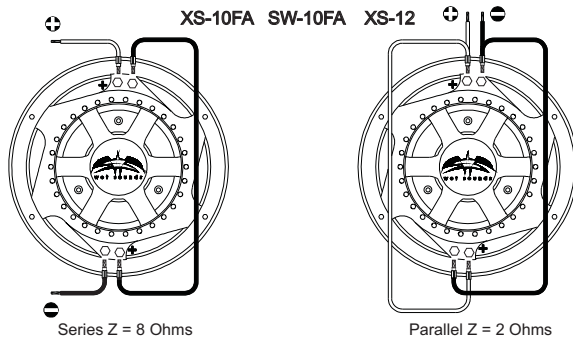
## WIRING

**WET SOUNDS** Marine subwoofers are offered in Dual Voice Coil configuration 2+2 and 4+4 ohms. Voice coils can be wired in parallel (Z = 1 or 2 ohms) or in series (Z = 4 or 8 ohms), allowing the user to properly match the driver to the amplifier.

### 2+2 ohms

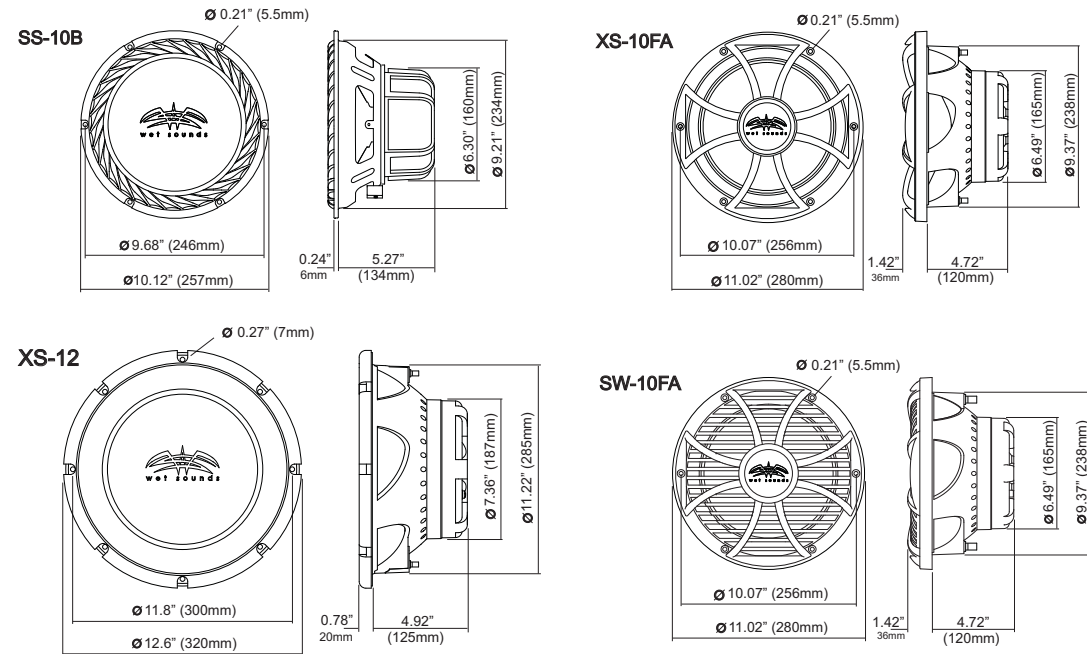


### 4+4 ohms



The Wet Sounds subwoofers are a line of advanced low frequency transducers. These subwoofers use advanced materials throughout such as our exclusive rubber spider, composite cones and thermoformed rubber surrounds. Wet Sounds has developed an exclusive rubber spider for our subwoofers which is used for the spider as most marine speakers use cloth that will deteriorate over time. These subwoofers are built to last in the harshest environments. The XS/WS subwoofers utilize a cast aluminum frame that is powder coated to provide a solid non flexing mount. Advanced acoustical technologies like perimeter venting, high temperature voice coils also help to make these the most advanced marine subwoofers on the market.

## DIMENSIONS mm(")



## INSTALLATION - SEALED AND VENTED ENCLOSURES

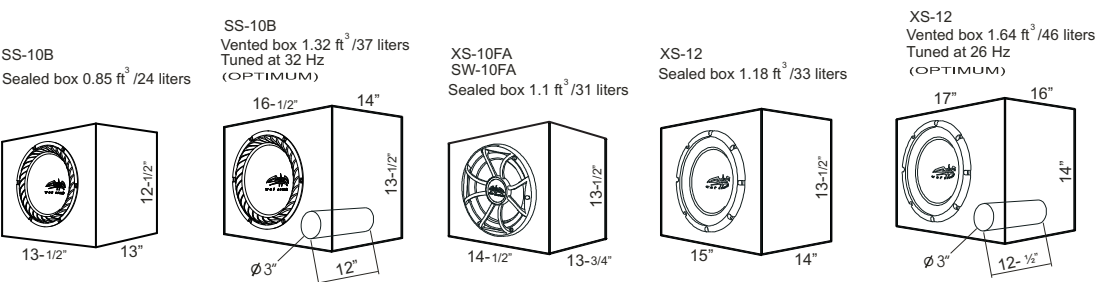
The **WET SOUNDS** SPL marine subwoofer have been specifically engineered to produce outstanding results in both small sealed enclosures and vented enclosures. As a rule, sealed enclosures provide better transient bass response than their vented counterparts, although the vented enclosures generally provide more deep bass. However, both enclosure types will work in any situation.

### SEALED ENCLOSURES

This enclosure is made up of a totally closed, air-tight box. This type of enclosure gives excellent, tight bass response, as well as providing an effective control of loudspeaker excursion, maintaining it within reasonable limits and generally providing lower distortion and very high volume levels. If you build your own enclosure, **WET SOUNDS** recommends that you glue and screw all joints using enough adhesive to ensure that all joints are air-tight.

### VENTED ENCLOSURES

Vented enclosures are not air-tight and incorporate an additional opening known as a port or vent, which is generally fabricated from either plastic or cardboard tubing. The port augments the sound coming out of the woofer and is in most cases capable of going lower in frequency than the same woofer in a sealed box. Even though vented enclosures are not air-tight, you should follow the same procedure as with sealed boxes and glue and screw together all joints. Below you will find drawings for enclosures specifically designed for **WET SOUNDS** Marine subwoofer. The dimensions shown in drawings (already taking in account the volume occupied by the subwoofer) are intended as a guideline and specific dimensions (HxWxD) may be used provided the internal volume of the enclosure is maintained. In the special case of SEALED enclosures, volumes greater or smaller than specified in the table can be chosen, with different results. Smaller enclosures lead to a more enhanced response and higher power handling whereas larger ones exhibit better transient and more extended response.



## ENCLOSURE CONSTRUCTION

For best performance the walls of the enclosure should be rigid and not vibrate as a result of the internal pressures generated by the loudspeakers. **WET SOUNDS** recommends constructing enclosures from a marine grade plywood like Birch with a minimum thickness of 3/4". In larger enclosures over 1 cubic foot, internal bracing that joins opposite walls can be incorporated and the final enclosure should be as rigid as possible. All joints should be glued and fastened with screws. Additionally, internal joints can be covered with a small bead of silicone adhesive to ensure that the enclosure is completely air-tight. Drivers should be fastened to the enclosure with self-threading screws with adequate length and diameter, utilizing all the mounting holes in the frame. To avoid air leakage, a foam rubber gasket or similar sealing method should be applied between the loudspeaker and the enclosure. The external surface of the enclosure may be painted or fabric-covered, to suit the consumer. Since low frequency sounds are not directional, subwoofer enclosures can generally be placed anywhere within the boat, without compromising stereo imaging. However, different placement locations of subwoofer enclosures can sometimes influence the overall quality of bass/midbass response, so you may wish to experiment with various mounting locations before permanently mounting the woofer.

## HOLE TEMPLATE

